

Mecmesin

testing to perfection

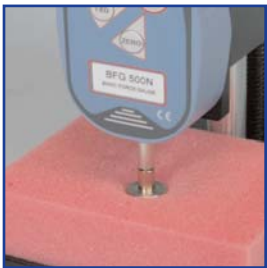
ValuTest-D

MANUAL TEST STAND

- 220lbf (1kN) capacity
- easy-to-use
- handwheel operation
- economical solution
- compact and portable
- rugged and reliable



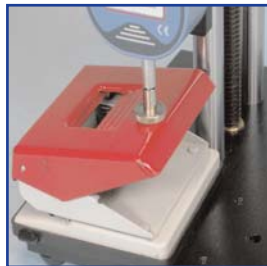
Shown with CFG digital force gage
(Can also be supplied with BFG digital force gage)



Compressive testing



Snap-cap testing



Tool testing



Compressing a pen

The ValuTest-D, combined with a Mecmesin Basic Force Gage (BFG) or Compact Force Gage (CFG), is a simple and low cost solution for any tensile or compression testing application requiring a simple and inexpensive instrument.

It is an ideal solution for simple pull-off tests or push-in and push-out tests where quick comparative checks are required in the laboratory or in the production area.

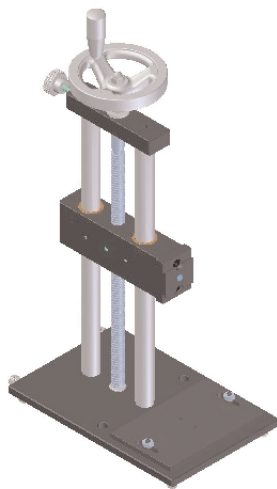
Easy-to-use, the ValuTest-D is operated via a handwheel, which gives precise control of the crosshead for applying forces up to 1000 newtons.

versatile
economical
easy-to-use

Mecmesin

testing to perfection

Stand / Force Gage Combinations



ValuTest-D

+



Basic Force Gage (BFG)

+



BFG Bracket

or

+



Compact Force Gage (CFG)

+

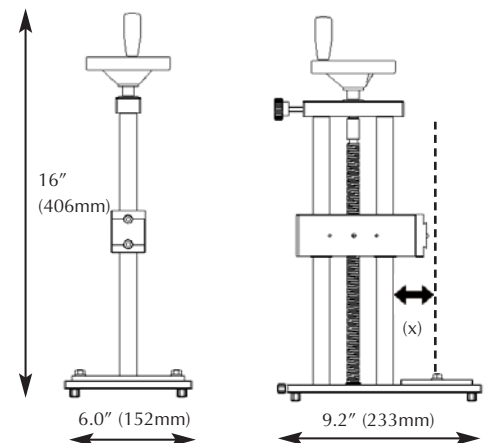


CFG Bracket

Specifications

Dimensions

Daylight with BFG without accessories	9.7" (246mm)
Daylight with CFG without accessories	10.2" (258mm)
Effective travel without gage and accessories	10.2" (258mm)
Crosshead travel per handwheel revolution (both directions)	0.1" (3mm)
Maximum load	220lbf, 1000N, 100kg
Weight	16 lbs (7.3kg)
Throat depth with BFG fitted (x)	2.4" (62mm)
Throat depth with CFG fitted (x)	2.1" (54.5mm)



Mecmesin
Force and Torque Test Solutions

M

Dynamic Measurement Systems, LLC
Sales, Service, Rentals
Web: www.dynameasure.com
email: dyna@dynameasure.com
Address: 16515 Hedgecroft, Suite 320
Houston, TX 77060
Phone: 281.405.0606
Fax: 281.405.0303